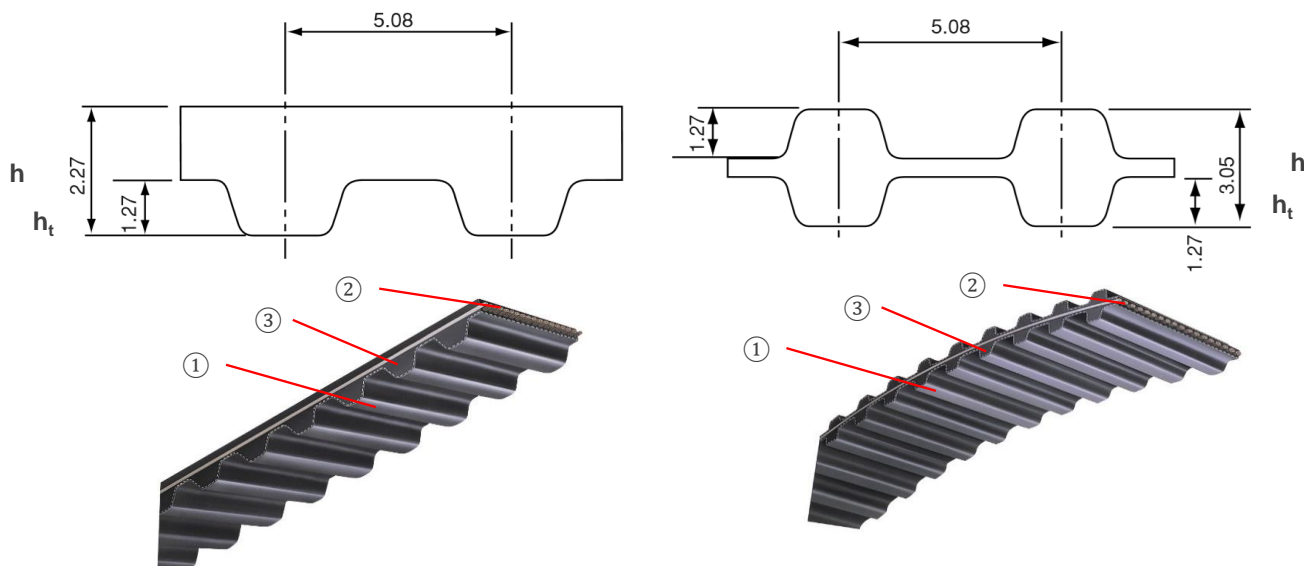


(D)XL Timing Belt



Product Information

Our standard rubber and polyurethane timing belts follow JIS and ISO standard. There is a variety of tooth profiles and size variations available with a wide product availability.



	XL	DXL
Belt type	Rubber timing belt	
Tooth height h_t [mm]	1.27	1.27
Belt thickness h [mm]	2.27	3.05
① Tooth fabric	Nylon	
② Cord	Glass fiber	
③ Rubber	CR	
Heat resistance temperature [°C]	90	
Cold resistance temperature [°C]	-30	
Max. belt speed [m/s]	30	
Wear resistance	Good	
Electric conductivity	Yes	

Product Code

(D)240XL700

D: Double sided 240: Belt length (inch x10) XL: Tooth profile 700: Width (inch x100)