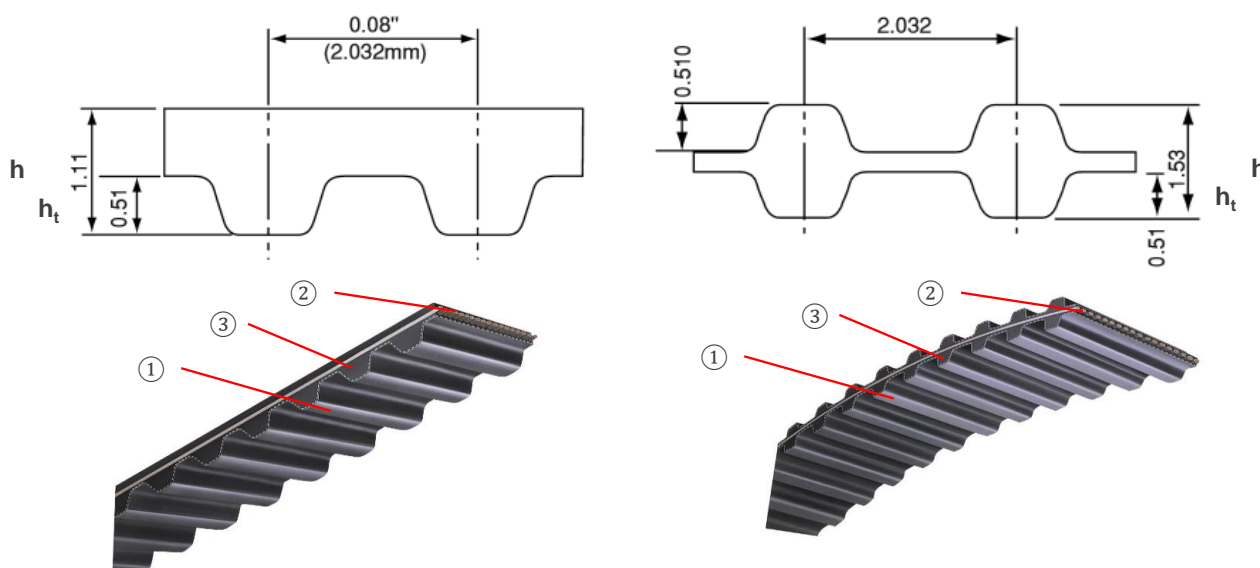


(D)MXL Timing Belt



Product Information

Our standard rubber and polyurethane timing belts follow JIS and ISO standard. There is a variety of tooth profiles and size variations available with a wide product availability.



	MXL	DMXL
Belt type	Rubber timing belt	
Tooth height h_t [mm]	0.51	0.51
Belt thickness h [mm]	1.11	1.53
① Tooth fabric	Nylon	
② Cord	Glass fiber	
③ Rubber	CR	
Heat resistance temperature [°C]	90	
Cold resistance temperature [°C]	-30	
Max. belt speed [m/s]	30	
Wear resistance	Good	
Electric conductivity	Yes	

Product Code

52(D)MXL3.5GB

52: No. of teeth

D: Double sided

MXL: Tooth profile

3.5: Width (mm)

GB: Rubber type