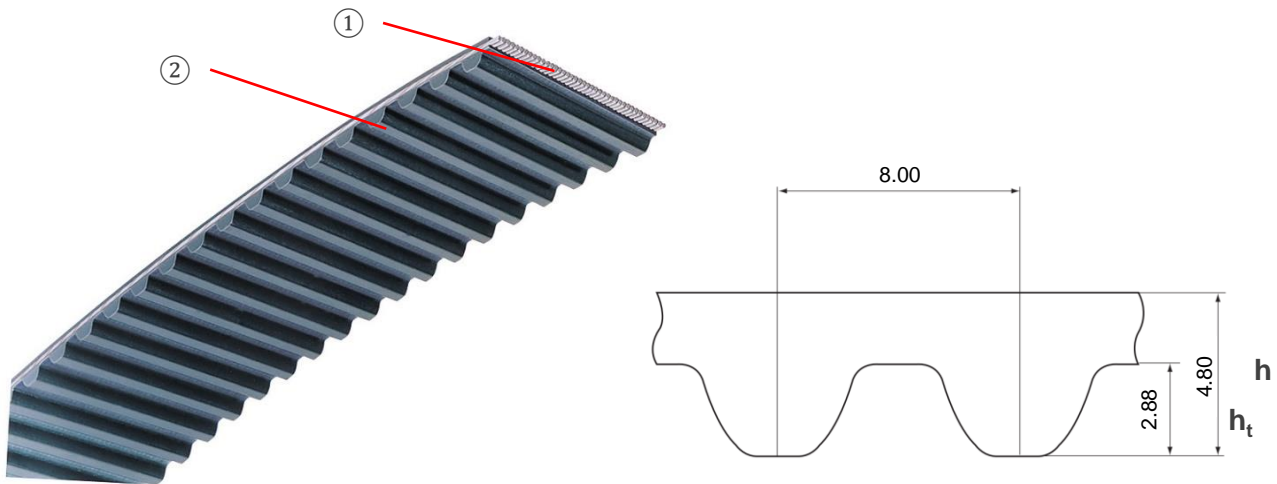


MEGA TORQUE U



Product Information

Our MEGA TORQUE U has compared to our SUPER TORQUE PU enhanced power transmission capabilities, which allows a compact layout due to narrow width of belt and pulley.



	MTS8M
Belt type	Polyurethane Timing Belt
Tooth height h_t [mm]	2.88
Belt thickness h [mm]	4.8
① Cord	Aramid
② Material	Polyurethane
Heat resistance temperature [°C]	80
Cold resistance temperature [°C]	-20
Max. belt speed [m/s]	30
Wear resistance	Good
Electric conductivity	Yes

Product Code

4400MTS8M225 U

4400: Belt width (mmx10)

MT: Quality

S5M: Tooth profile

225: Belt length (mm)

U: Polyurethane