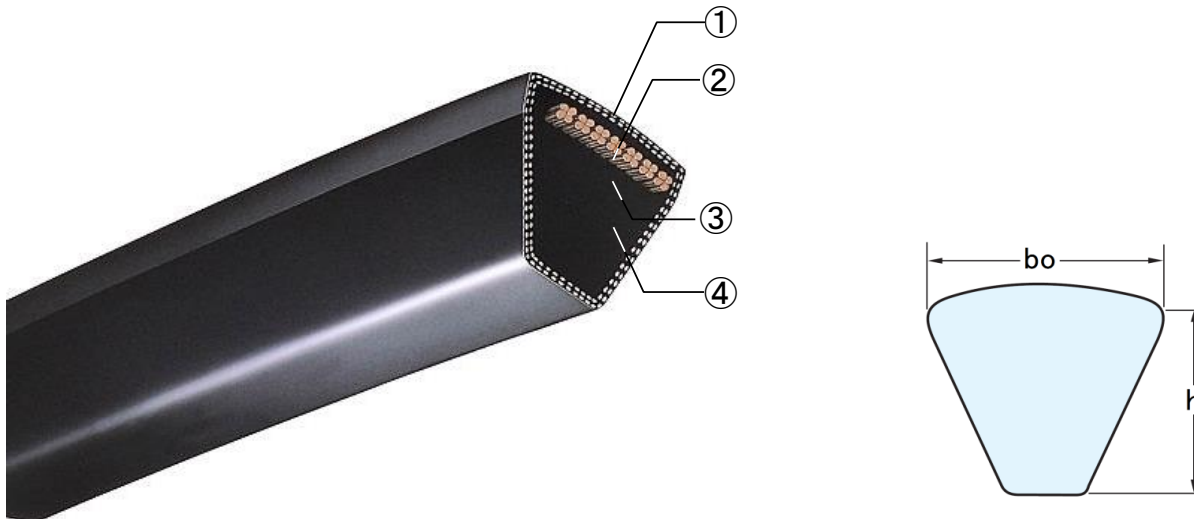


Maxstar Wedge



Product Information

MAXSTAR WEDGE V-belt have double power transmission capacity of conventional V-belts due to the greater wedge effect. It features high speed transmission, energy saving, and compact design.



Cross Section	3V	5V	8V
Belt type	Wrapped Type		
Top width b_o [mm]	9.5	16.0	25.5
Thickness h [mm]	8.0	13.5	23.0
① Cover fabric	Cotton / Polyester mixture		
② Adhesion rubber	CR		
③ Cord	Polyester		
④ Compression rubber	CR		
Heat resistance temperature [°C]	+90		
Cold resistance temperature [°C]	-30		
Max. belt speed [m/s]	40		
Wear resistance	Normal		
Electric conductivity	Yes		

Product Code

5V1180

5V: Cross section 1180: Belt length (Inch x10)