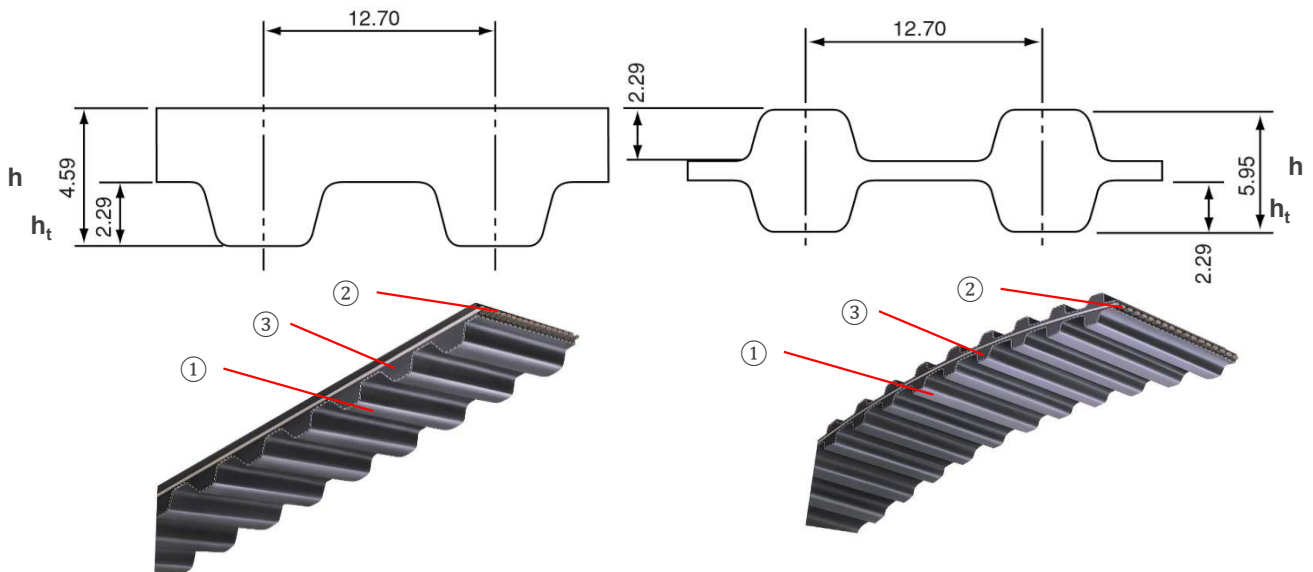


(D)H Timing Belt



Product Information

Our standard rubber and polyurethane timing belts follow JIS and ISO standard. There is a variety of tooth profiles and size variations available with a wide product availability.



	H	DH
Belt type	Rubber timing belt	
Tooth height h_t [mm]	2.29	2.29
Belt thickness h [mm]	4.59	5.95
① Tooth fabric	Nylon	
② Cord	Glass fiber	
③ Rubber	CR	
Heat resistance temperature [°C]	90	
Cold resistance temperature [°C]	-30	
Max. belt speed [m/s]	30	
Wear resistance	Good	
Electric conductivity	Yes	

Product Code

(D)480H1500

D: Double sided 480: Belt length (inch x10) H: Tooth profile 1500: Width (inch x100)