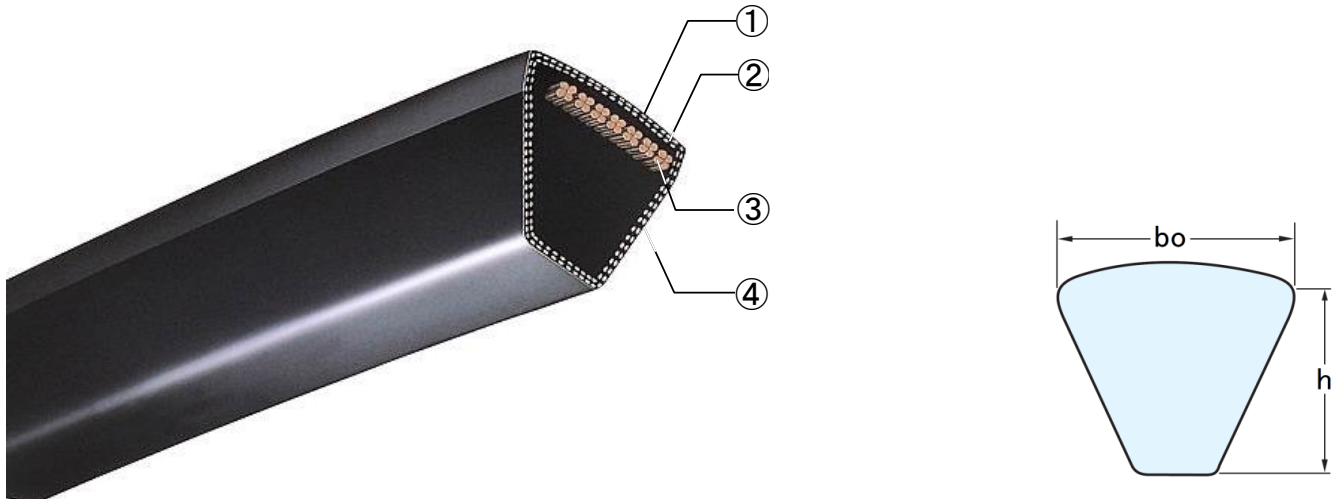


Classical V-belt



Product Information

Classical V-belts are the most typical form of power transmission belts. They are known for their reliability and are used in many fields of mechanical power transmission.



Cross Section	K	Z	A	B	C	D	E
Belt type	Wrapped						
Top width b_o [mm]	8,0	10,0	13,0	17,0	22,0	32,0	40,0
Thickness h [mm]	5,0	6,0	8,0	11,0	14,0	20,0	25,0
① Cover fabric	Cotton / Polyester mixture						
② Adhesion rubber	NR						
③ Cord	Polyester						
④ Compression rubber	NR/SBR						
Heat resistance temperature [°C]	+70						
Cold resistance temperature [°C]	-40						
Max. belt speed [m/s]	30						
Wear resistance	Normal						
Electric conductivity	Yes						

Product Code

A100

A: Cross section 100: Belt length (Inch)