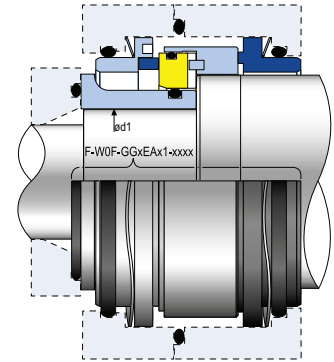


Wave Spring

W0F



Stock code: F-W0F-xxxxxx-xxxx

Rotary Face	Stationary Face	Elastomer	Rotary Face	Stationary Face	Elastomer	Build Code
G - Tungsten Carbide	G - Tungsten Carbide	X - Nitrile (BUNA) or Y - EPR (EPDM) or Z - Viton (FPM)	E - Stainless Steel	A - Carbon	X - Nitrile (BUNA) or Y - EPR (EPDM) or Z - Viton (FPM)	1

Size	d1	
	Metric	Inches
0250	25.0	0.984
0300	30.0	1.181
0400	40.0	1.575
0520	52.0	2.047



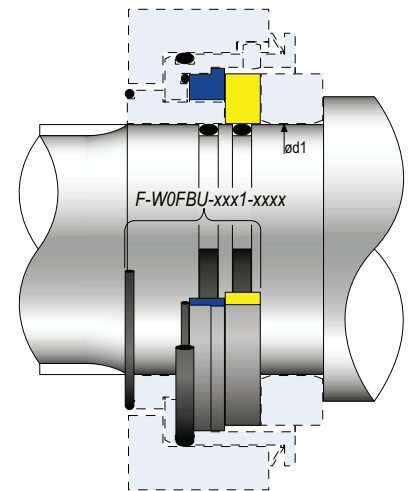
W0FBU



Stock code: F-W0FBU-xxxx-xxxx

Rotary Face	Stationary Face	Elastomer	Build Code
A - Carbon or G - Tungsten Carbide	E - Stainless Steel or G - Tungsten Carbide	X - Nitrile (BUNA) or Y - EPR (EPDM) or Z - Viton (FPM)	1

Size	d1	
	Metric	Inches
0210	21.0	0.826
0310	31.0	1.220
0380	38.0	1.496
0520	52.0	2.047



W0FD

Stock code: F-W0FD-xxxx-0520

Rotary Face	Stationary Face	Elastomer	Build Code	Size	d1	
					Metric	Inches
G - Tungsten Carbide	J - Sintered SiC	Y - EPR (EPDM)	1	0520	52.0	2.047

