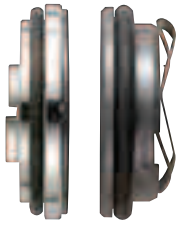
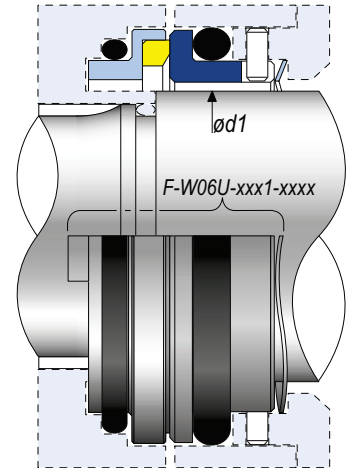


Wave Spring

W06U



Stock code: F-W06U-xxxx-xxxx



| Rotary Face | Stationary Face | Elastomer | Build Code |
|--------------------------------------------------------------------|---------------------------------------------------|---------------------------------------------------------------------|------------|
| A - Carbon or G - Tungsten Carbide or J - Sintered SiC | E - Stainless Steel or G - Tungsten Carbide | X - Nitrile (BUNA) or Y - EPR (EPDM) or Z - Viton (FPM) | 1 |

| Size | d1 | |
|------|--------|--------|
| | Metric | Inches |
| 0240 | 24.0 | 0.945 |
| 0420 | 42.0 | 1.654 |
| 0530 | 53.0 | 2.087 |
| 0750 | 75.0 | 2.953 |

W07DMU



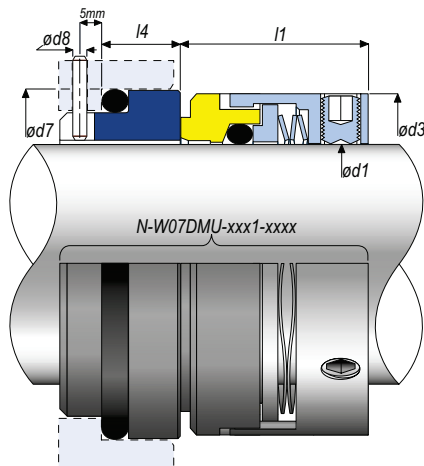
Stock code: N-W07DMU-xxxx-xxxx



| Rotary Face | Stationary Face | Elastomer | Build Code [^] |
|---------------------------------------------------------------------|------------------|-----------------------------------------------------------------------------------------------------|-------------------------|
| A - Carbon or H - Antimony Carbon* or J - Sintered SiC* | J - Sintered SiC | P - PTFE wrapped Viton or X - Nitrile (BUNA) or Y - EPR (EPDM) or Z - Viton (FPM) | 1 P |

*Availability subject to order quantity

[^]Build Code 1 = Complete Seal, P = Rotary Only



| Size | d1 | | d3 | | d7 | | d8 | | l1 | | l4 | |
|------|--------|--------|--------|--------|--------|--------|--------|--------|--------|--------|--------|--------|
| | Metric | Inches | Metric | Inches | Metric | Inches | Metric | Inches | Metric | Inches | Metric | Inches |
| 0160 | 16.0 | 0.630 | 26.5 | 1.043 | 27.0 | 1.063 | 3.0 | 0.118 | 25.0 | 0.984 | 10.0 | 0.394 |
| 0180 | 18.0 | 0.709 | 32.0 | 1.260 | 33.0 | 1.299 | 3.0 | 0.118 | 26.0 | 1.024 | 11.5 | 0.453 |
| 0200 | 20.0 | 0.787 | 34.0 | 1.339 | 35.0 | 1.378 | 3.0 | 0.118 | 26.0 | 1.024 | 11.5 | 0.453 |
| 0220 | 22.0 | 0.866 | 36.0 | 1.417 | 37.0 | 1.457 | 3.0 | 0.118 | 26.0 | 1.024 | 11.5 | 0.453 |
| 0240 | 24.0 | 0.945 | 38.0 | 1.496 | 39.0 | 1.535 | 3.0 | 0.118 | 28.5 | 1.122 | 11.5 | 0.453 |
| 0250 | 25.0 | 0.984 | 39.0 | 1.535 | 40.0 | 1.575 | 3.0 | 0.118 | 28.5 | 1.122 | 11.5 | 0.453 |
| 0280 | 28.0 | 1.102 | 42.0 | 1.654 | 43.0 | 1.693 | 3.0 | 0.118 | 31.0 | 1.220 | 11.5 | 0.453 |
| 0300 | 30.0 | 1.181 | 44.0 | 1.732 | 45.0 | 1.772 | 3.0 | 0.118 | 31.0 | 1.220 | 11.5 | 0.453 |
| 0320 | 32.0 | 1.260 | 46.0 | 1.811 | 48.0 | 1.890 | 3.0 | 0.118 | 31.0 | 1.220 | 11.5 | 0.453 |
| 0330 | 33.0 | 1.299 | 47.0 | 1.850 | 48.0 | 1.890 | 3.0 | 0.118 | 31.0 | 1.220 | 11.5 | 0.453 |
| 0350 | 35.0 | 1.378 | 49.0 | 1.929 | 50.0 | 1.969 | 3.0 | 0.118 | 31.0 | 1.220 | 11.5 | 0.453 |
| 0380 | 38.0 | 1.496 | 54.0 | 2.126 | 56.0 | 2.205 | 4.0 | 0.157 | 31.0 | 1.220 | 14.0 | 0.551 |
| 0400 | 40.0 | 1.575 | 56.0 | 2.205 | 58.0 | 2.283 | 4.0 | 0.157 | 31.0 | 1.220 | 14.0 | 0.551 |
| 0430 | 43.0 | 1.693 | 59.0 | 2.323 | 61.0 | 2.402 | 4.0 | 0.157 | 31.0 | 1.220 | 14.0 | 0.551 |
| 0450 | 45.0 | 1.772 | 61.0 | 2.402 | 63.0 | 2.480 | 4.0 | 0.157 | 31.0 | 1.220 | 14.0 | 0.551 |
| 0480 | 48.0 | 1.890 | 64.0 | 2.520 | 66.0 | 2.598 | 4.0 | 0.157 | 31.0 | 1.220 | 14.0 | 0.551 |
| 0500 | 50.0 | 1.969 | 66.0 | 2.598 | 70.0 | 2.756 | 4.0 | 0.157 | 32.5 | 1.280 | 15.0 | 0.591 |
| 0530 | 53.0 | 2.087 | 69.0 | 2.717 | 73.0 | 2.874 | 4.0 | 0.157 | 32.5 | 1.280 | 15.0 | 0.591 |
| 0550 | 55.0 | 2.165 | 71.0 | 2.795 | 75.0 | 2.953 | 4.0 | 0.157 | 32.5 | 1.280 | 15.0 | 0.591 |
| 0580 | 58.0 | 2.283 | 78.0 | 3.071 | 78.0 | 3.071 | 4.0 | 0.157 | 37.5 | 1.476 | 15.0 | 0.591 |
| 0600 | 60.0 | 2.362 | 80.0 | 3.150 | 80.0 | 3.150 | 4.0 | 0.157 | 37.5 | 1.476 | 15.0 | 0.591 |
| 0630 | 63.0 | 2.480 | 83.0 | 3.268 | 83.0 | 3.268 | 4.0 | 0.157 | 37.5 | 1.476 | 15.0 | 0.591 |
| 0650 | 65.0 | 2.559 | 85.0 | 3.346 | 85.0 | 3.346 | 4.0 | 0.157 | 37.5 | 1.476 | 15.0 | 0.591 |
| 0680 | 68.0 | 2.677 | 88.0 | 3.465 | 90.0 | 3.543 | 4.0 | 0.157 | 34.5 | 1.358 | 18.0 | 0.709 |
| 0700 | 70.0 | 2.756 | 90.0 | 3.543 | 92.0 | 3.622 | 4.0 | 0.157 | 42.0 | 1.654 | 18.0 | 0.709 |
| 0750 | 75.0 | 2.953 | 99.0 | 3.898 | 97.0 | 3.819 | 4.0 | 0.157 | 42.0 | 1.654 | 18.0 | 0.709 |
| 0800 | 80.0 | 3.150 | 104.0 | 4.094 | 105.0 | 4.134 | 4.0 | 0.157 | 41.8 | 1.646 | 18.2 | 0.717 |
| 0850 | 85.0 | 3.346 | 109.0 | 4.291 | 110.0 | 4.331 | 4.0 | 0.157 | 41.8 | 1.646 | 18.2 | 0.717 |
| 0900 | 90.0 | 3.543 | 114.0 | 4.488 | 115.0 | 4.528 | 4.0 | 0.157 | 46.8 | 1.843 | 18.2 | 0.717 |
| 0950 | 95.0 | 3.740 | 119.0 | 4.685 | 120.0 | 4.724 | 4.0 | 0.157 | 47.8 | 1.882 | 17.2 | 0.677 |
| 1000 | 100.0 | 3.937 | 124.0 | 4.882 | 125.0 | 4.921 | 4.0 | 0.157 | 47.8 | 1.882 | 17.2 | 0.677 |

