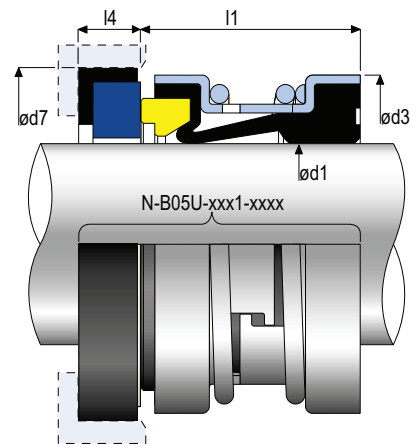


B05U



Stock code: N-B05U-xxxx-xxxx

Rotary Face	Stationary Face	Elastomer	Build Code
A - Carbon or D - Silicon Carbide (RB) or G - Tungsten Carbide* or J - Sintered SiC	B - Alumina Ceramic or D - Silicon Carbide (RB) or G - Tungsten Carbide* or J - Sintered SiC	X - Nitrile (BUNA) or Y - EPR (EPDM) or Z - Viton (FPM)	1

*Availability subject to order quantity

Size	d1		d3		d7		l1		l4	
	Metric	Inches	Metric	Inches	Metric	Inches	Metric	Inches	Metric	Inches
0180	18.0	0.709	28.0	1.102	33.0	1.299	19.5	0.768	6.0	0.236
0280	28.0	1.102	42.0	1.654	43.0	1.693	26.5	1.043	6.0	0.236
0300	30.0	1.181	44.0	1.732	45.0	1.772	26.5	1.043	6.0	0.236
0320	32.0	1.260	46.0	1.811	48.0	1.890	27.5	1.083	6.0	0.236
0330	33.0	1.299	47.0	1.850	48.0	1.890	27.5	1.083	6.0	0.236
0350	35.0	1.378	49.0	1.929	50.0	1.969	28.5	1.122	6.0	0.236
0380	38.0	1.496	52.0	2.047	56.0	2.205	30.0	1.181	7.5	0.295
0400	40.0	1.575	55.0	2.165	58.0	2.283	30.0	1.181	7.5	0.295
0430	43.0	1.693	58.0	2.283	61.0	2.402	30.0	1.181	7.5	0.295
0450	45.0	1.772	60.0	2.362	63.0	2.480	30.0	1.181	7.5	0.295
0480	48.0	1.890	63.0	2.480	66.0	2.598	30.5	1.201	9.0	0.354
0500	50.0	1.969	65.0	2.559	70.0	2.756	30.5	1.201	9.5	0.374
0750	75.0	2.953	95.0	3.740	97.0	3.819	40.0	1.575	11.3	0.445
0800	80.0	3.150	103.0	4.055	105.0	4.134	40.0	1.575	12.0	0.472

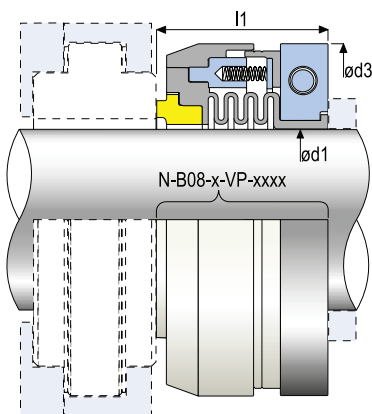


B08

Stock code: N-B08-xxxx-xxxx



Rotary Face	Stationary Face	Elastomer	Build Code
N - GFT	-	V - PTFE	P



Size	d1		d3		l1	
	Metric	Inches	Metric	Inches	Metric	Inches
0250	25.0	0.984	63.5	2.500	35.5	1.398
0254	25.4	1.000	63.5	2.500	35.5	1.398
0280	28.0	1.102	66.6	2.625	35.5	1.398
0286	28.6	1.125	66.6	2.625	35.5	1.398
0300	30.0	1.181	69.8	2.750	35.5	1.398
0317	31.7	1.250	69.8	2.750	35.5	1.398
0349	34.9	1.375	73.0	2.875	35.5	1.398
0350	35.0	1.378	73.0	2.875	35.5	1.398
0380	38.0	1.496	76.2	3.000	35.5	1.398
0381	38.1	1.500	76.2	3.000	35.5	1.398
0400	40.0	1.575	79.3	3.125	35.5	1.398
0412	41.2	1.625	79.3	3.125	35.5	1.398
0444	44.4	1.750	82.5	3.250	35.5	1.398
0450	45.0	1.772	82.5	3.250	35.5	1.398
0476	47.6	1.875	90.6	3.568	39.7	1.563
0480	48.0	1.890	90.6	3.568	39.7	1.563
0500	50.0	1.969	93.8	3.693	39.7	1.563
0508	50.8	2.000	93.8	3.693	39.7	1.563
0530	53.0	2.087	97.0	3.818	39.7	1.563
0539	53.9	2.125	97.0	3.818	39.7	1.563
0550	55.0	2.165	100.2	3.943	39.7	1.563
0571	57.1	2.250	100.2	3.943	39.7	1.563
0600	60.0	2.362	103.3	4.068	39.7	1.563
0603	60.3	2.375	103.3	4.068	39.7	1.563
0635	63.5	2.500	106.5	4.193	39.0	1.563

